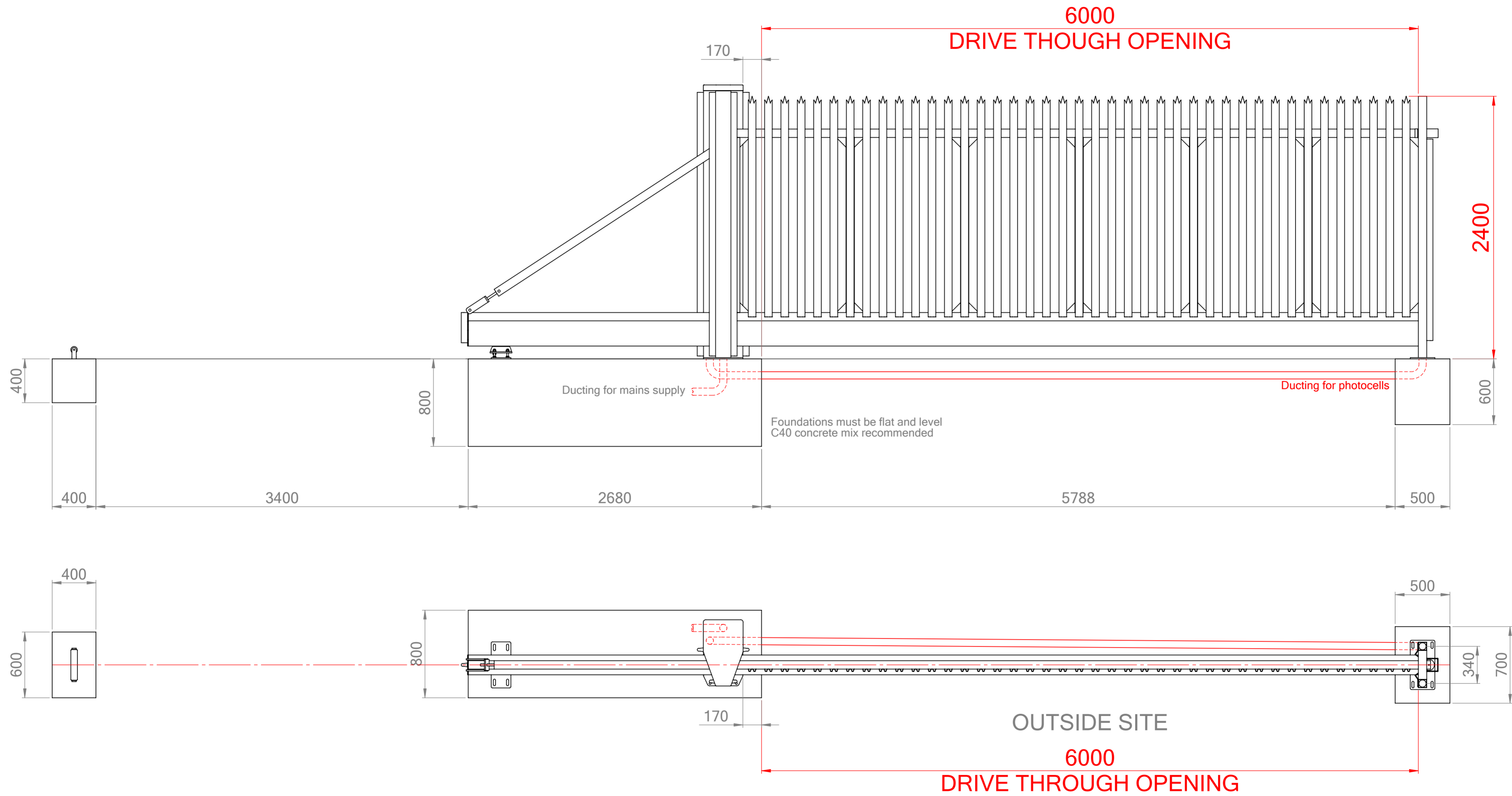
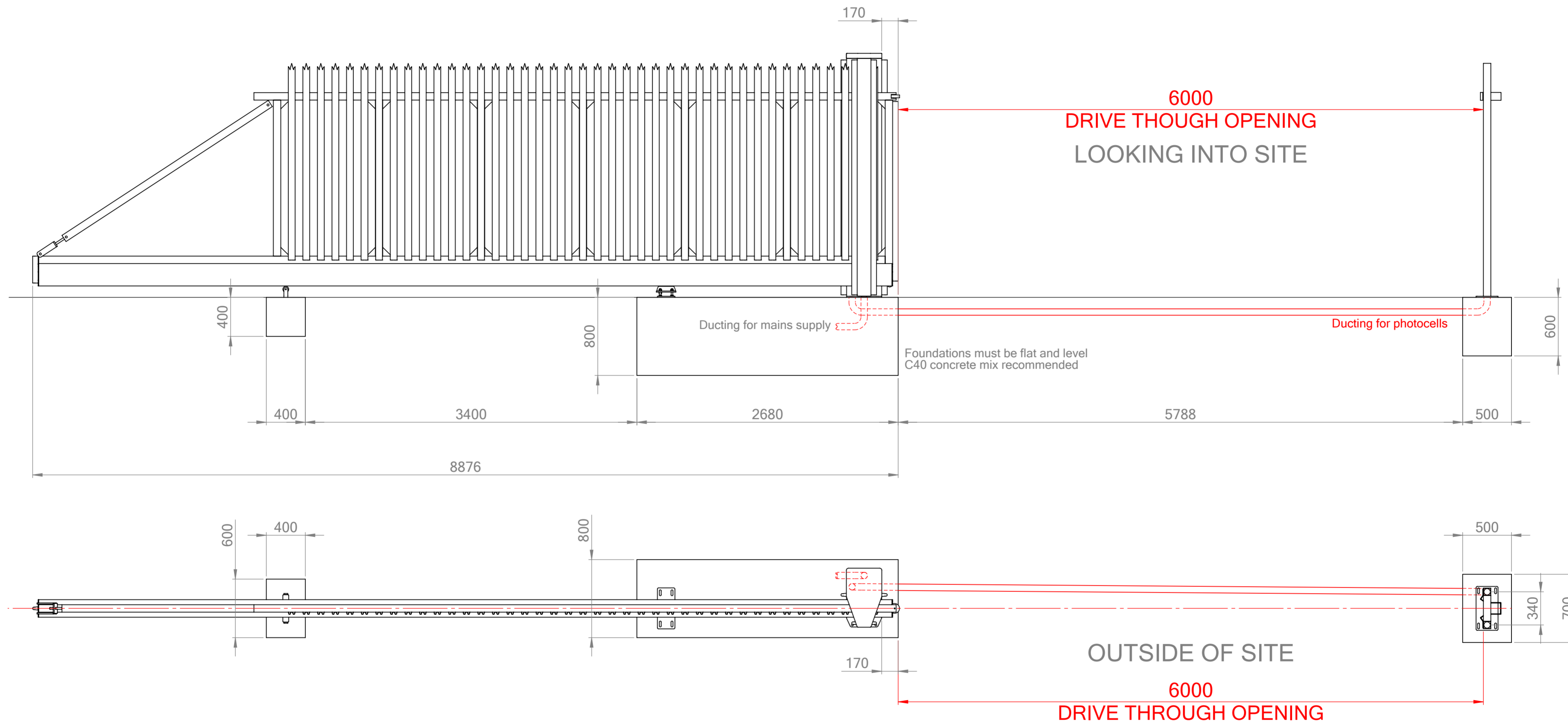


AUTO CANTILEVER SLIDING GATE
 6000mm Opening x 2400mm High
 PALISADE - Left-Handed

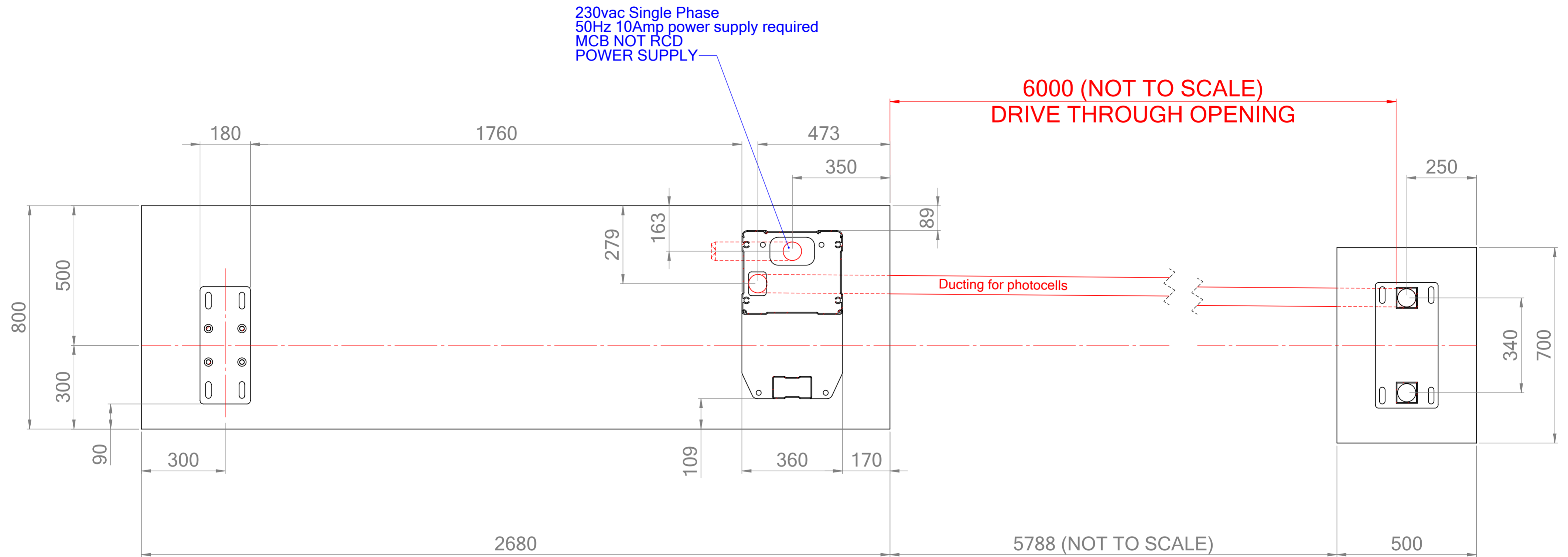
	DRAWN BY: VGG	TITLE: AUTO CANTILEVER SLIDING GATE 6000mm Opening x 2400mm High		INFILL: PALISADE
	DATE:	DRAWING NUMBER:	REVISION: A	FINISH: TBC
	SCALE: 1:17.5 AT A2	SHEET NUMBER: 1 OF 4		NOTE: LEFT-HANDED (viewed from outside)
		<small>all dimensions in mm</small>		



		DRAWN BY: VGG	TITLE: AUTO CANTILEVER SLIDING GATE 6000mm Opening x 2400mm High		INFILL: PALISADE
		DATE:	DRAWING NUMBER:	REVISION: A	SHEET NUMBER: 2 OF 4
		SCALE: 1:25 AT A2			NOTE: LEFT-HANDED (viewed from outside)
				all dimensions in mm	



		DRAWN BY: VGG	TITLE: AUTO CANTILEVER SLIDING GATE 6000mm Opening x 2400mm High		INFILL: PALISADE
		DATE:	DRAWING NUMBER:	REVISION: A	SHEET NUMBER: 3 OF 4
		SCALE: 1:30 AT A2			NOTE: LEFT-HANDED (viewed from outside)
					all dimensions in mm



ALL ANCHOR BOLTS - M16 x 160mm

DRAWN BY: VGG	TITLE: AUTO CANTILEVER SLIDING GATE 6000mm Opening x 2400mm High		INFILL: PALISADE
DATE:			FINISH TBC
SCALE: 1:10 AT A2	DRAWING NUMBER:	REVISION: A	NOTE: LEFT-HANDED (viewed from outside)
		SHEET NUMBER: 4 OF 4	
		all dimensions in mm	