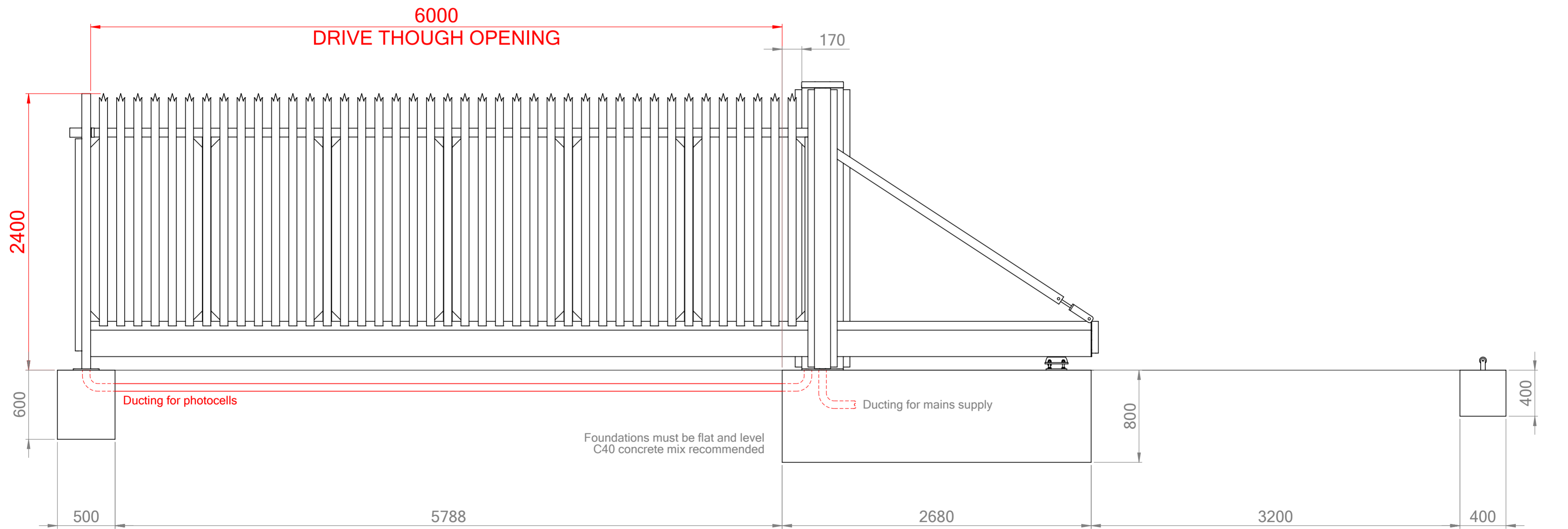
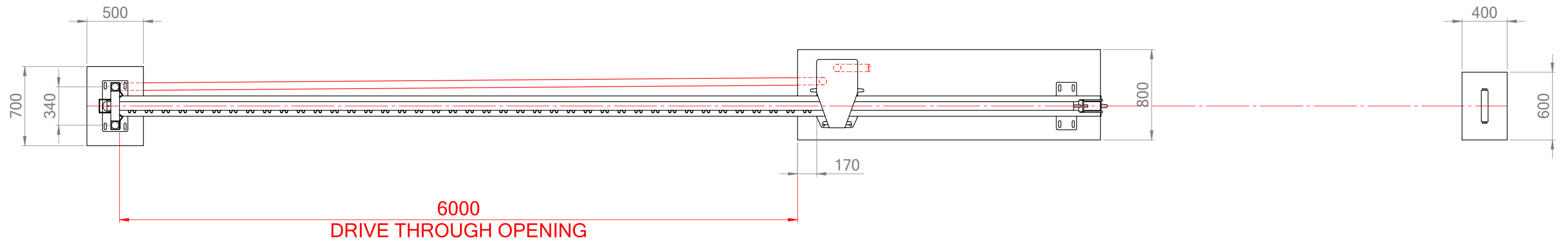
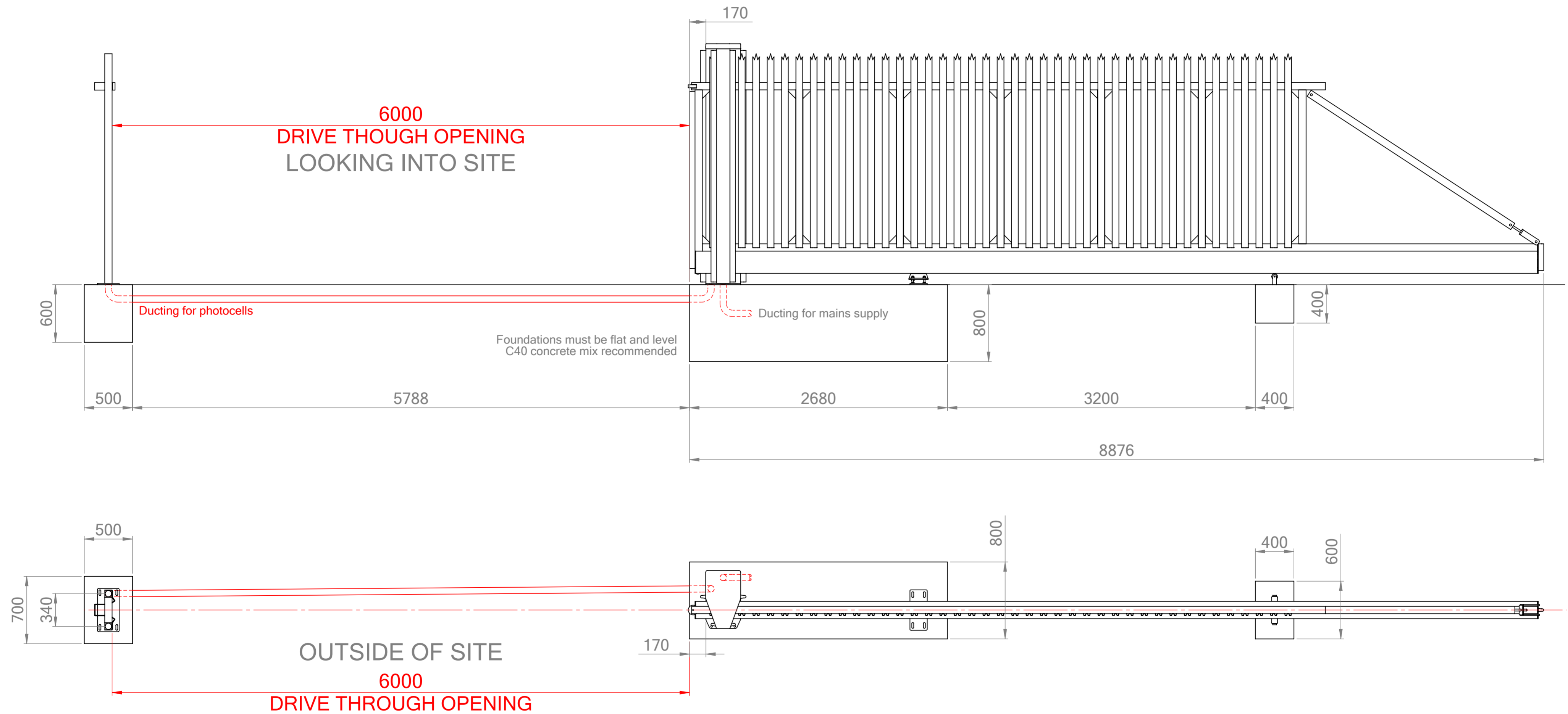


AUTO CANTILEVER SLIDING GATE  
 6000mm Opening x 2400mm High  
 PALISADE - Right-Handed

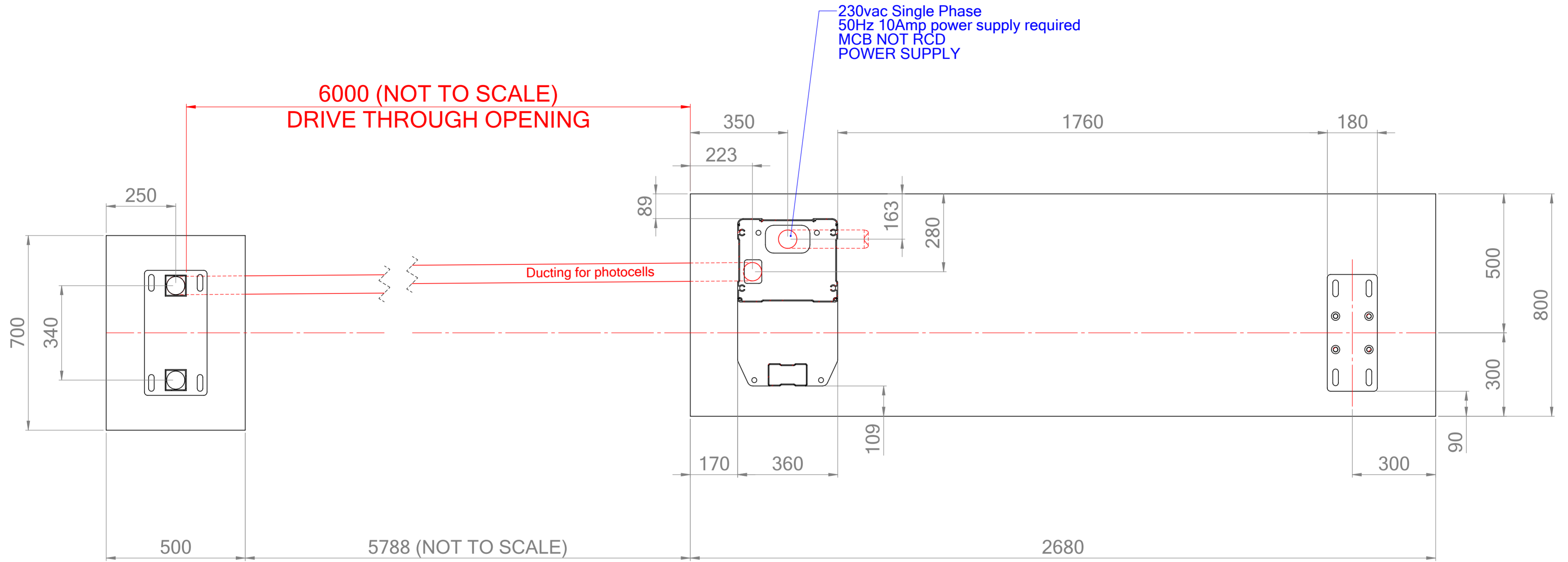
		DRAWN BY: VGG	TITLE: AUTO CANTILEVER SLIDING GATE 6000mm Opening x 2400mm High		INFILL: PALISADE
		DATE:	DRAWING NUMBER:	REVISION: A	SHEET NUMBER: 1 OF 4
		SCALE: 1:17.5 AT A2			FINISH TBC
				all dimensions in mm	



		DRAWN BY: <b>VGG</b>	TITLE: <b>AUTO CANTILEVER SLIDING GATE</b> <b>6000mm Opening x 2400mm High</b>		INFILL: <b>PALISADE</b>
		DATE:	DRAWING NUMBER:		FINISH: <b>TBC</b>
		SCALE: <b>1:25 AT A2</b>	REVISION: <b>A</b>	SHEET NUMBER: <b>2 OF 4</b>	NOTE: <b>RIGHT-HANDED (viewed from outside)</b>
			<small>all dimensions in mm</small>		



		DRAWN BY: VGG	TITLE: AUTO CANTILEVER SLIDING GATE 6000mm Opening x 2400mm High		INFILL: PALISADE
		DATE:	DRAWING NUMBER:	REVISION: A	SHEET NUMBER: 3 OF 4
		SCALE: 1:30 AT A2			NOTE: RIGHT-HANDED (viewed from outside)
		all dimensions in mm			



ALL ANCHOR BOLTS - M16 x 160mm

DRAWN BY: VGG	TITLE: AUTO CANTILEVER SLIDING GATE 6000mm Opening x 2400mm High	INFILL: PALISADE
DATE:	DRAWING NUMBER:	REVISION: A
SCALE: 1:10 AT A2	SHEET NUMBER: 4 OF 4	FINISH: TBC
	all dimensions in mm	NOTE: RIGHT-HANDED (viewed from outside)