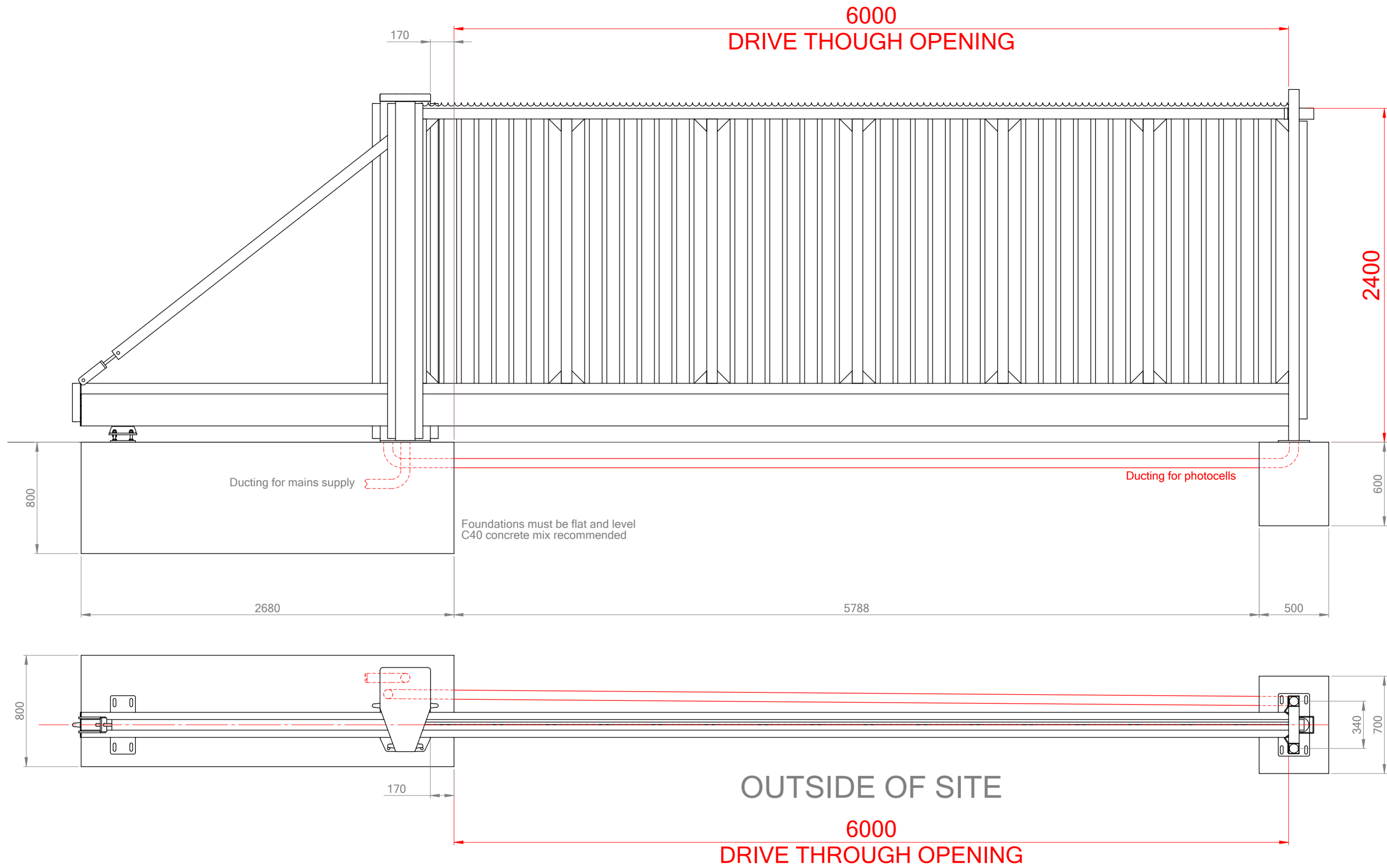


AUTO CANTILEVER SLIDING GATE
 6000mm Opening x 2400mm High
 MESH - Left-Handed

		DRAWN BY: VGG	TITLE: AUTO CANTILEVER SLIDING GATE 6000mm Opening x 2400mm High		INFILL: MESH	
		DATE:	DRAWING NUMBER:	REVISION: A	SHEET NUMBER: 1 OF 4	FINISH TBC
		SCALE: 1:17.5 AT A2			all dimensions in mm	NOTE: LEFT-HANDED



6000
DRIVE THOUGH OPENING

2400

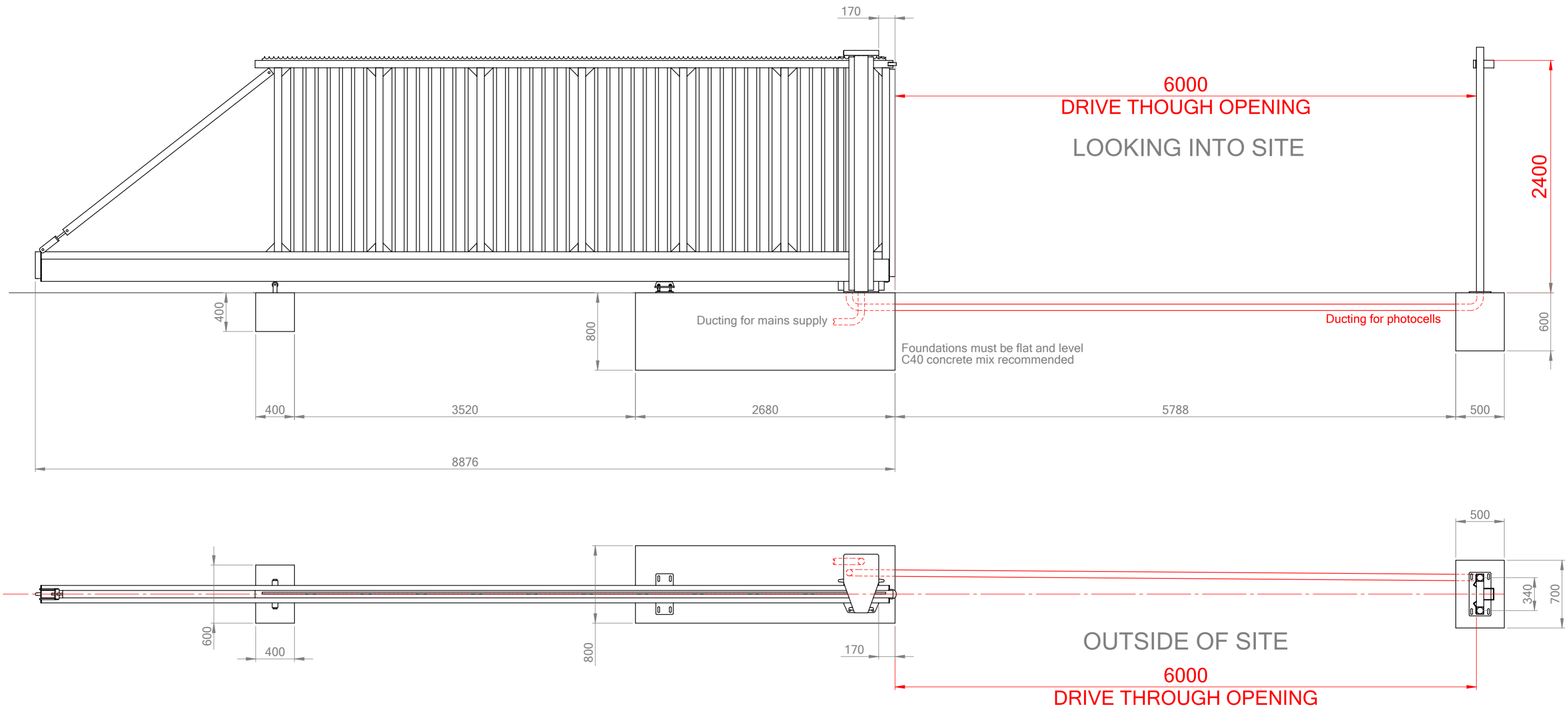
Ducting for mains supply

Ducting for photocells

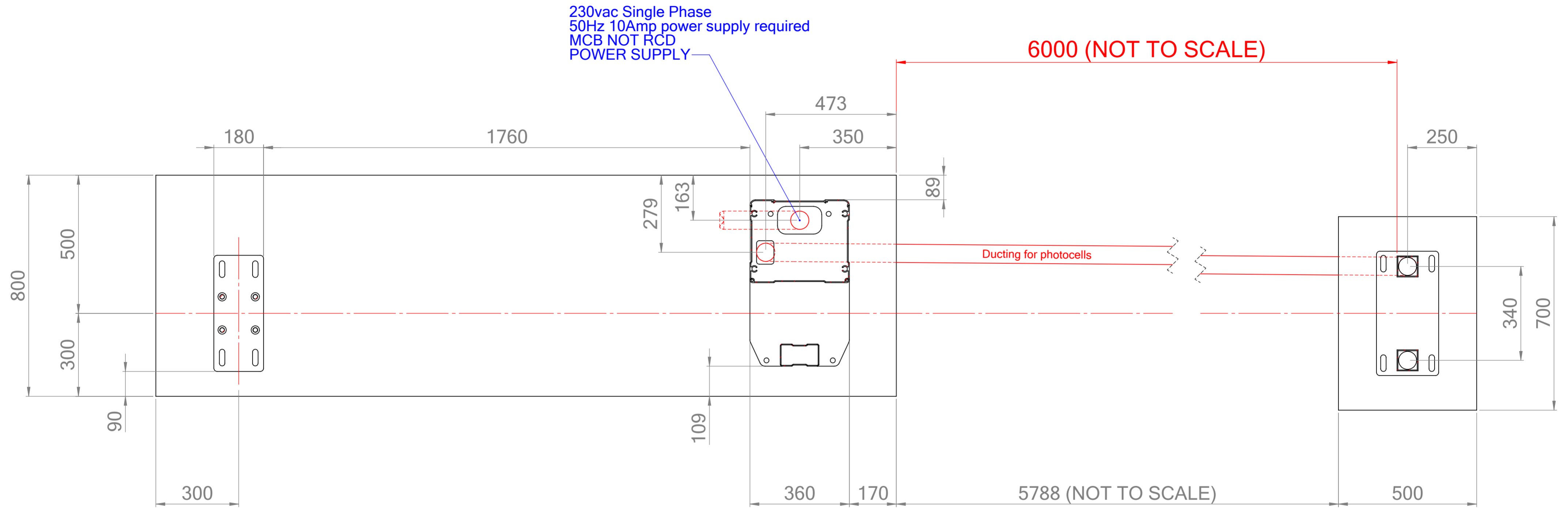
Foundations must be flat and level
C40 concrete mix recommended

OUTSIDE OF SITE
6000
DRIVE THOUGH OPENING

DRAWN BY: VGG	TITLE: AUTO CANTILEVER SLIDING GATE 6000mm Opening x 2400mm High		INFILL: MESH
	DATE:	DRAWING NUMBER:	FINISH: TBC
SCALE: 1:20 AT A2	REVISION: A	SHEET NUMBER: 2 OF 4	NOTE: LEFT-HANDED
			all dimensions in mm



		DRAWN BY: VGG	TITLE: AUTO CANTILEVER SLIDING GATE 6000mm Opening x 2400mm High		INFILL: MESH
		DATE:	DRAWING NUMBER:	REVISION: A	SHEET NUMBER: 3 OF 4
		SCALE: 1:30 AT A2			NOTE: LEFT-HANDED
		all dimensions in mm			



ALL ANCHOR BOLTS - M16 x 160mm

DRAWN BY: VGG	TITLE: AUTO CANTILEVER SLIDING GATE 6000mm Opening x 2400mm High		INFILL: MESH
	DATE:	DRAWING NUMBER:	FINISH TBC
SCALE: 1:10 AT A2	REVISION: A	SHEET NUMBER: 4 OF 4	NOTE: LEFT-HANDED
		all dimensions in mm	